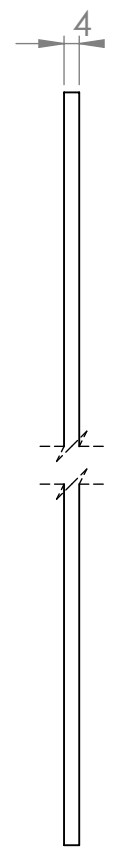
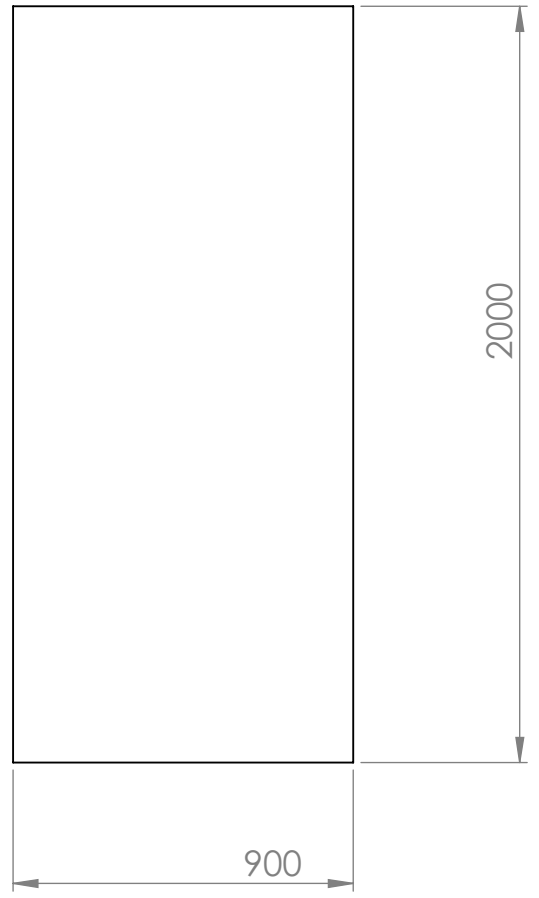
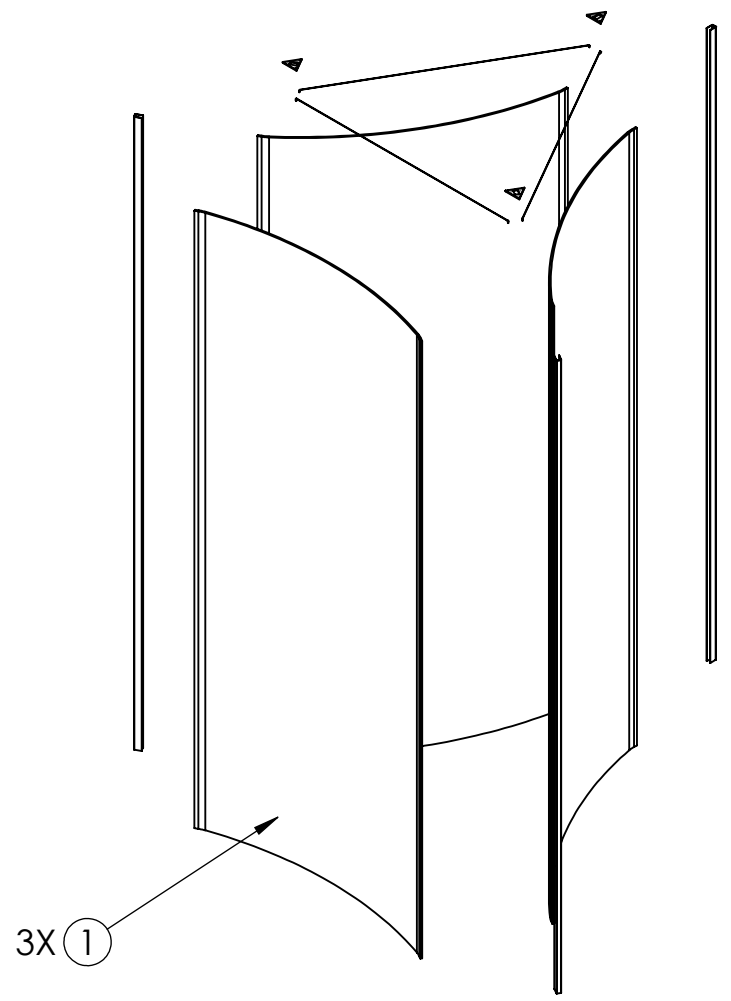


6 5 4 3 2 1



scale : 1:2

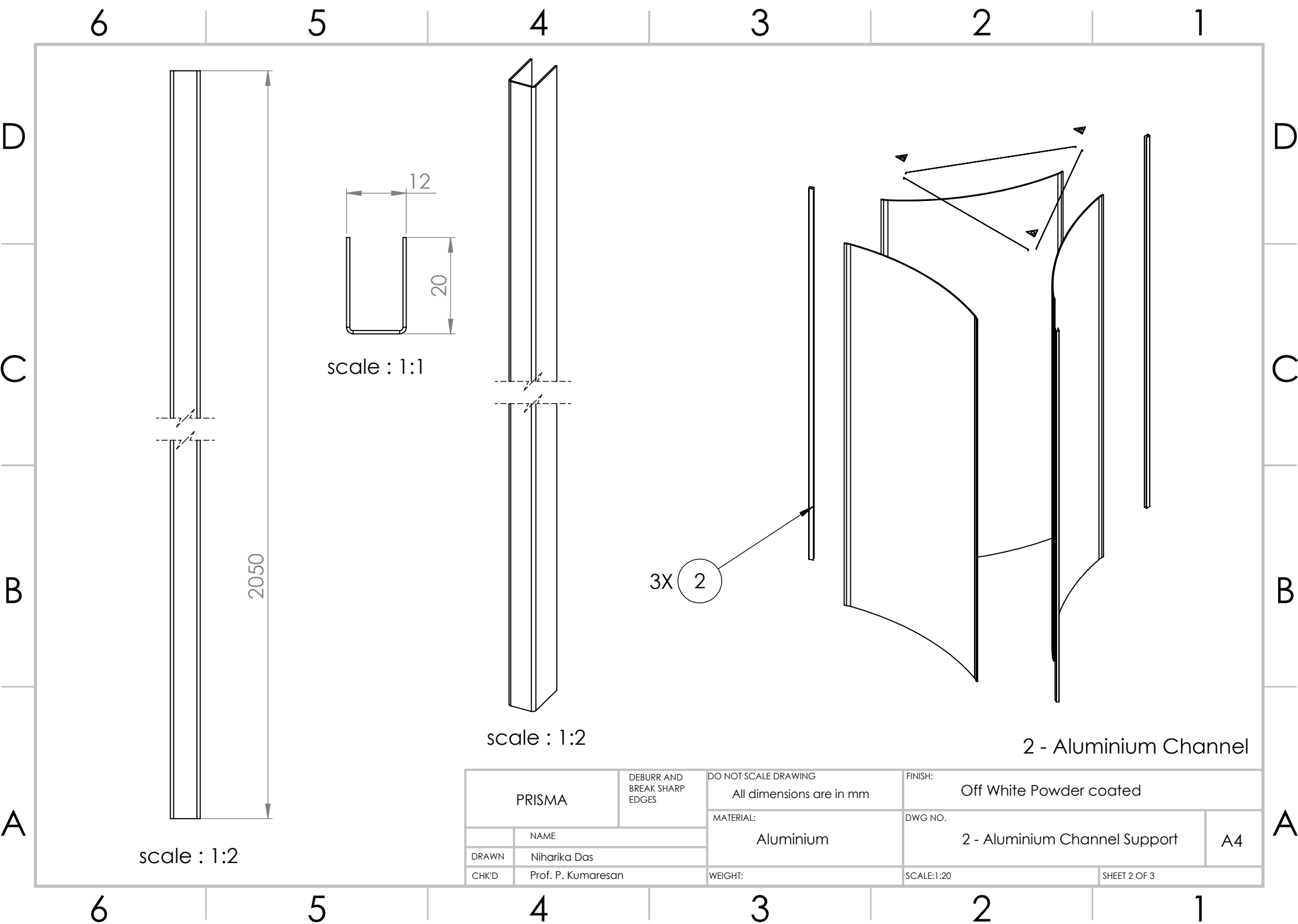


D
C
B
A

D
C
B
A

TITLE: PRISMA		DEBURR AND BREAK SHARP EDGES	DO NOT SCALE DRAWING All dimensions are in mm		FINISH:	
DRAWN Niharika Das		MATERIAL: PVC Foam board		DWG NO. 1 - Foam Board		A4
CHK'D Prof. P. Kumaresan	WEIGHT:		SCALE:1:20		SHEET 1 OF 3	

6 5 4 3 2 1



scale : 1:2

2050

scale : 1:1

12

20

scale : 1:2

3X 2

2 - Aluminium Channel

PRISMA		DEBURR AND BREAK SHARP EDGES	DO NOT SCALE DRAWING All dimensions are in mm	FINISH: Off White Powder coated	
NAME		MATERIAL: Aluminium		DWG NO. 2 - Aluminium Channel Support	A4
DRAWN	Niharika Das		WEIGHT:		SCALE:1:20
CHK'D	Prof. P. Kumaresan		SHEET 2 OF 3		

6

5

4

3

2

1

D

D

C

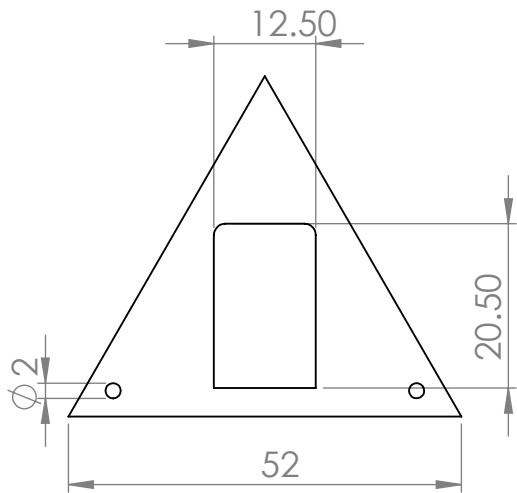
C

B

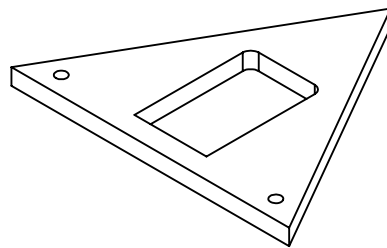
B

A

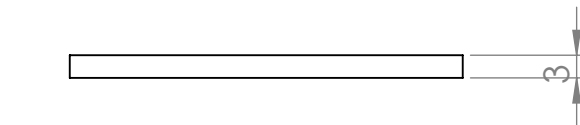
A



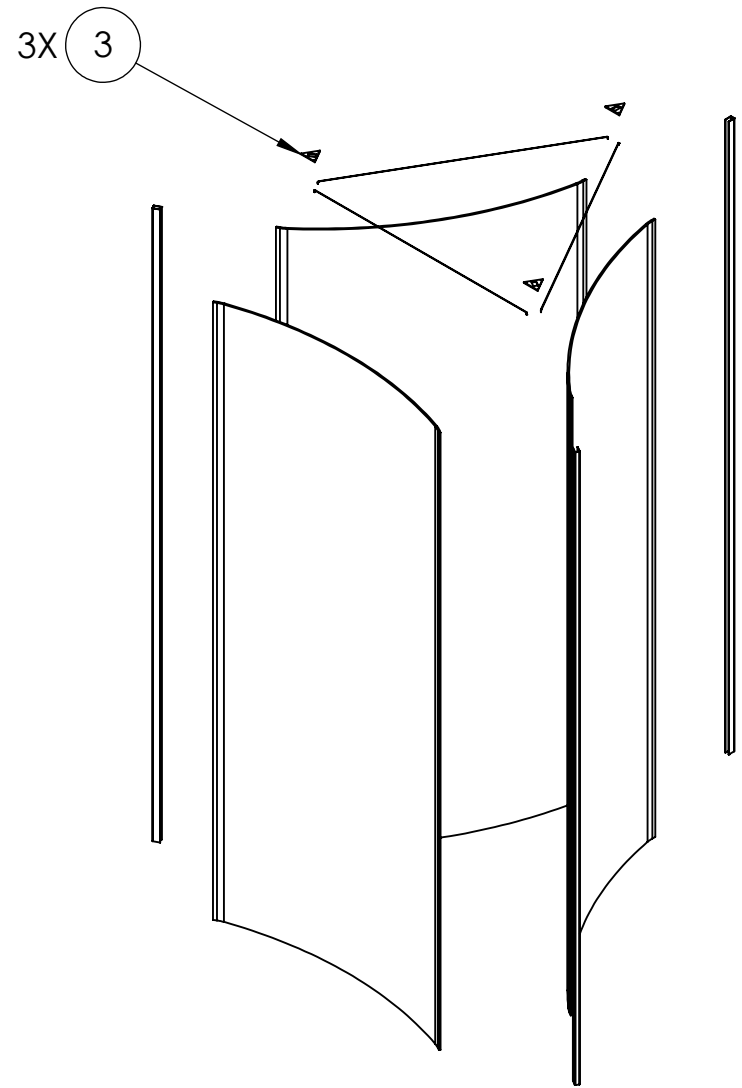
scale : 1:1



scale : 1:1



scale : 1:1



3 - Acrylic Part

TITLE: PRISMA		DEBURR AND BREAK SHARP EDGES	DO NOT SCALE DRAWING All dimensions are in mm		FINISH:	
DRAWN Niharika Das		MATERIAL: Transparent Acrylic		DWG NO. 3 - Triangular Acrylic Pieces		A4
CHK'D Prof. P. Kumaresan	WEIGHT:		SCALE:1:20		SHEET 3 OF 3	

6

5

4

3

2

1